

Article datasheet

Anti-Kink Sleeve $\varnothing 4/3.5/6/9 \times 32$ mm Helvin black UL94-V2

Article-No.: 014.02.590

Manufacturer: Hellermann

Manufacturer article-no.: 634-31250

HellermannTyton

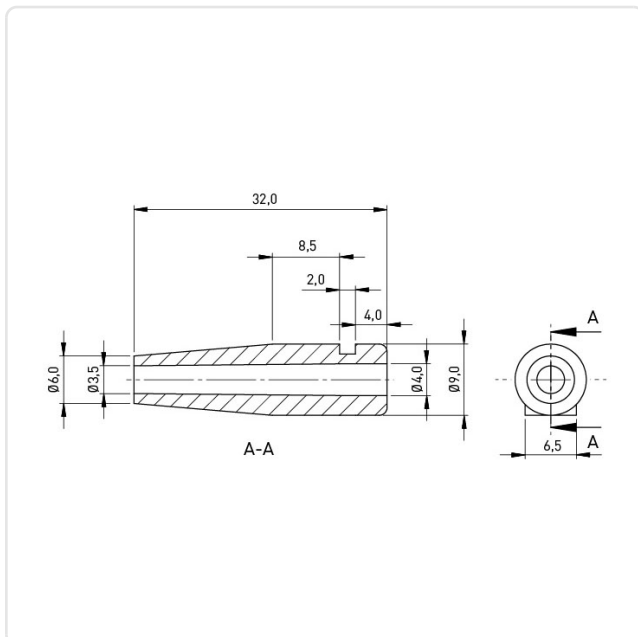


Image may be similar

Color: Black
Inner Diameter [mm]: 4
Material: PVC - Polyvinyl chloride
Mounting Hole [mm]: 6.5
Panel Thickness Range [mm]: 4,0-3,5
Panel Thickness [mm]: 2
Weight: 1.64g
Conformities:



You can find all information on the web on our article detail page



Would you like individual advice?

We look forward to your email to products@ettinger.de.

Subject to change and errors.