

Article datasheet

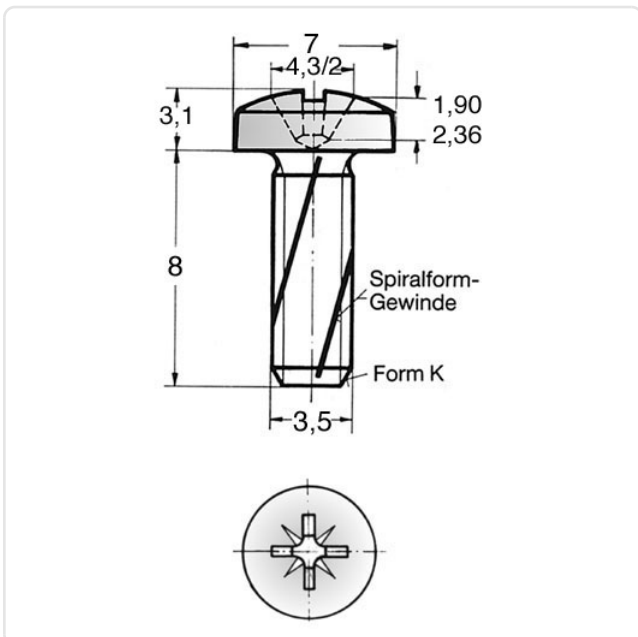
Thread Forming Screw DIN7500C M3.5x8 Black Galv. STL Case Hard. Pozi Pan Head

Article-No.: 001.38.030



Image may be similar

Actuator Size:	Pozidriv PZ1
DIN/ISO:	DIN7500-C
Drive Type:	Cross Recess / Pozidriv-Z
Finish:	Galvanized, Black, 5 µm, A2R
Head Diameter [mm]:	7
Head Height [mm]:	2.7
Head Shape:	Pan Head
Length [mm]:	8
Material:	Case-Hardened Steel
Material Group:	Steel
Thread Size:	M3.5
Thread Type:	Metric
Weight:	1.06g
Conformities:	



You can find all information on the web on our article detail page

Would you like individual advice?

We look forward to your email to products@ettinger.de.

Subject to change and errors.