




Article datasheet

Spring Washer DIN137 A Ø2.8/5.5 x 0.3 Galvanized Spring Steel

Article-No.: 003.22.027

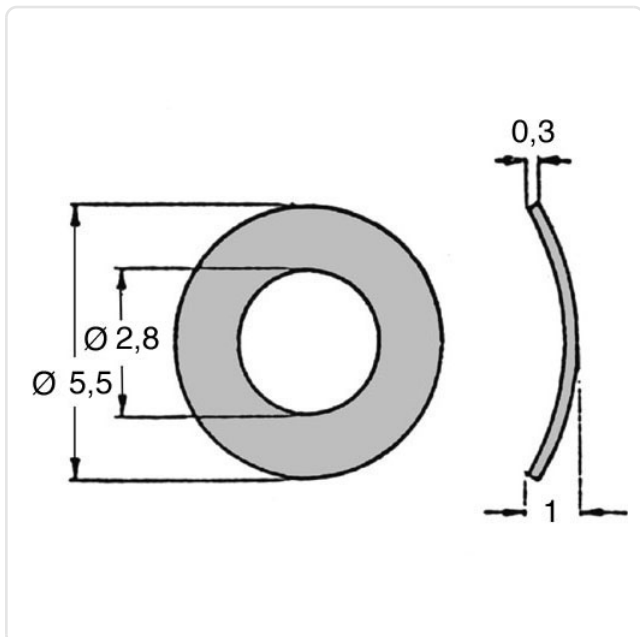


Image may be similar

DIN/ISO:	DIN137A
Finish:	Galvanized, Blue, 5 µm, A2K
For Thread Size:	M2.5
Height [mm]:	0.3
Inner Diameter [mm]:	2.8
Material:	Spring Steel
Material Group:	Steel
Outer Diameter [mm]:	5.5
Weight:	0.04g
Conformities:	  



You can find all
information on the web on
our article detail page



Would you like individual advice?

We look forward to your email to products@ettinger.de.

Subject to change and errors.