

Article datasheet

## Permanent Mount TO-5 PA-GV UL94-40 145°C

Article-No.: 070.02.544

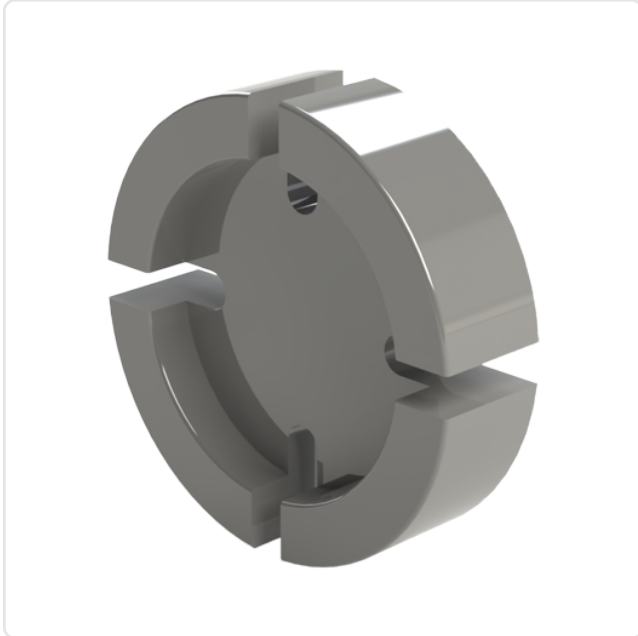


Image may be similar

Material: Polyamide 6.0 25% GF

Material Group: Plastic

Model: TO-5

Weight: 0.14g

Conformities:



You can find all  
information on the web on  
our article detail page

Would you like individual advice?

We look forward to your email to [products@ettinger.de](mailto:products@ettinger.de).

Subject to change and errors.

