

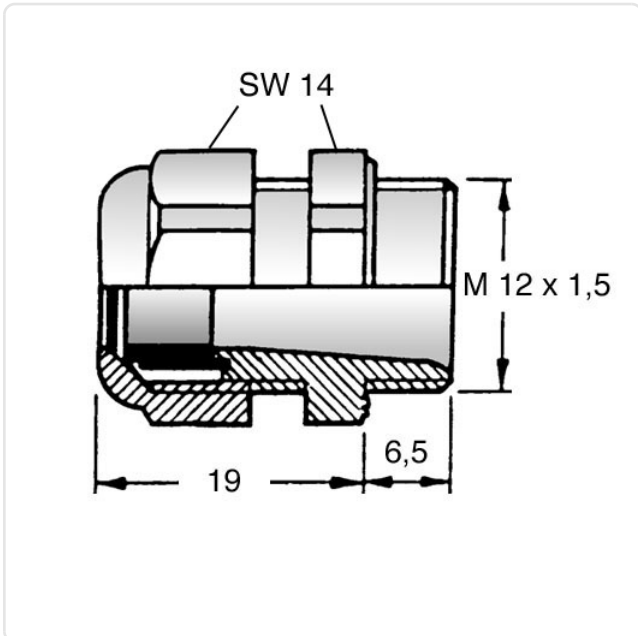
Article datasheet

## Cable Gland EMV M12x1.5 Brass nickel-plated

Article-No.: 014.29.312



Image may be similar



AF / OD [mm]:	14
Material:	Brass
Material Group:	Brass
Mounting Hole [mm]:	12.5
Panel Thickness Range [mm]:	3,0-6,5
Protection Code:	IP68
Thread Size:	M12
Weight:	10.68g
Conformities:	



You can find all information on the web on our article detail page

Would you like individual advice?

We look forward to your email to [products@ettinger.de](mailto:products@ettinger.de).

Subject to change and errors.