

Article datasheet

Rigth Angle Strain Relief Bushing / For Flat Cables SR-13-1

Article-No.: 014.04.770

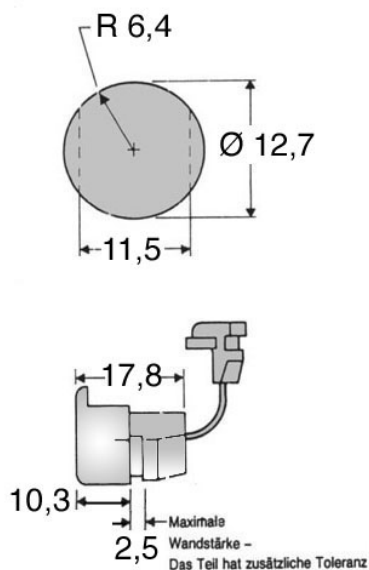


Image may be similar

Cable diameter [mm]:	Ø 3,0-7,6
Color:	Black
Material:	Polyamide 6.6 - UL94 V-2
Material Group:	Kunststoff
Mounting Hole [mm]:	12.7
Panel Thickness Range [mm]:	3.0-7.1
Panel Thickness [mm]:	2,5
Weight:	1.71g
Conformities:	



You can find all information on the web on our article detail page



Would you like individual advice?

We look forward to your email to products@ettinger.de.

Subject to change and errors.