

Article datasheet

Countersunk Screw ISO7046 M1.6x2 A2 Plain Stainless Steel Cross Recessed

Article-No.: 082.23.002

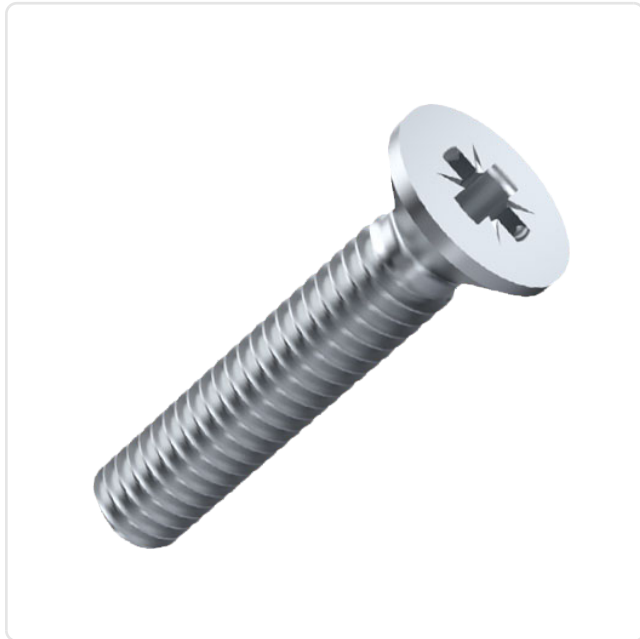
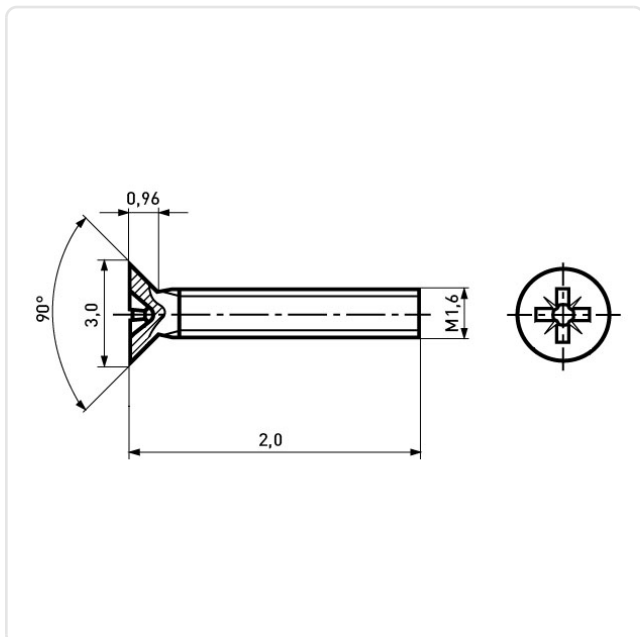


Image may be similar

Actuator Size:	Pozidriv PZ0
DIN/ISO:	DIN965 / ISO7046
Drive Type:	Cross Recess / Pozidriv-Z
Finish:	Plain
Head Diameter [mm]:	3
Head Height [mm]:	0.96
Head Shape:	Countersunk Head
Length [mm]:	2
Material:	Stainless Steel AISI 304 / A2
Material Group:	Stainless Steel
Thread Size:	M1.6
Weight:	0.62g
Conformities:	



You can find all
information on the web on
our article detail page

Would you like individual advice?

We look forward to your email to products@ettinger.de.

Subject to change and errors.