




Article datasheet

Spring Washer DIN137 B $\text{\O}5.3/11.0 \times 0.5$ A2 Plain Stainless Steel

Article-No.: 003.23.059

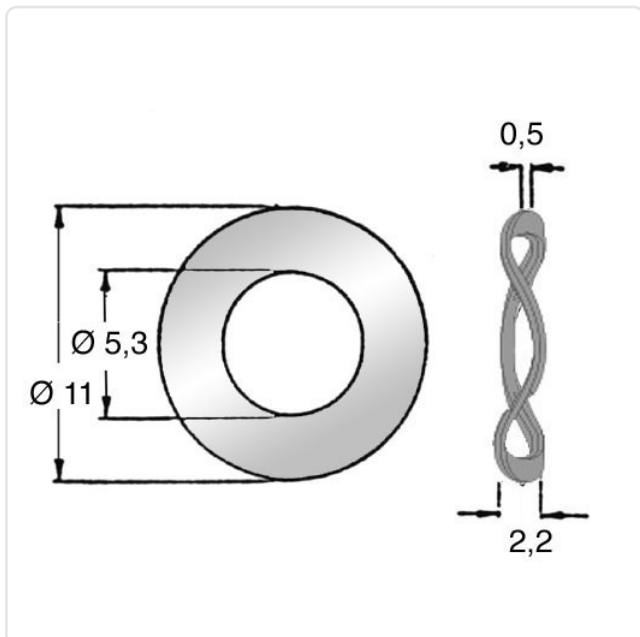


Image may be similar

DIN/ISO:	DIN137B
Finish:	Plain
For Thread Size:	M5
Height [mm]:	0.5
Inner Diameter [mm]:	5.3
Material:	Stainless Steel A2 / AISI 304
Material Group:	Stainless Steel
Outer Diameter [mm]:	11
Weight:	0.24g
Conformities:	  



You can find all information on the web on our article detail page



Would you like individual advice?

We look forward to your email to products@ettinger.de.

Subject to change and errors.