

Article datasheet

**Hand Held Miniature 1551 Series / IP 54 grau / 35 x 20 x 60 mm**

Article-No.: 097.51.167

Manufacturer: Hammond

Manufacturer article-no.: 1551HGY



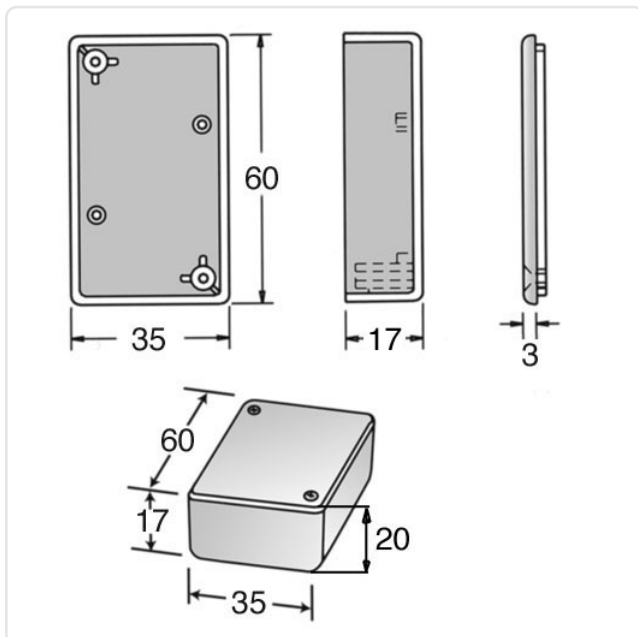
Color: Gray  
 Flammability Class: UL94-HB  
 Height [mm]: 20  
 Length [mm]: 60  
 Material: ABS  
 Material Group: Plastic  
 Protection Code: IP54  
 Width [mm]: 35  
 Weight: 19.05g  
 Conformities:



Image may be similar



You can find all information on the web on our article detail page



Would you like individual advice?

We look forward to your email to [products@ettinger.de](mailto:products@ettinger.de).

Subject to change and errors.