

Article datasheet

## Card Guide for 1/16"-1.6mm/60mm PCB Polyamid grey UL94-V0

Article-No.: 075.35.768

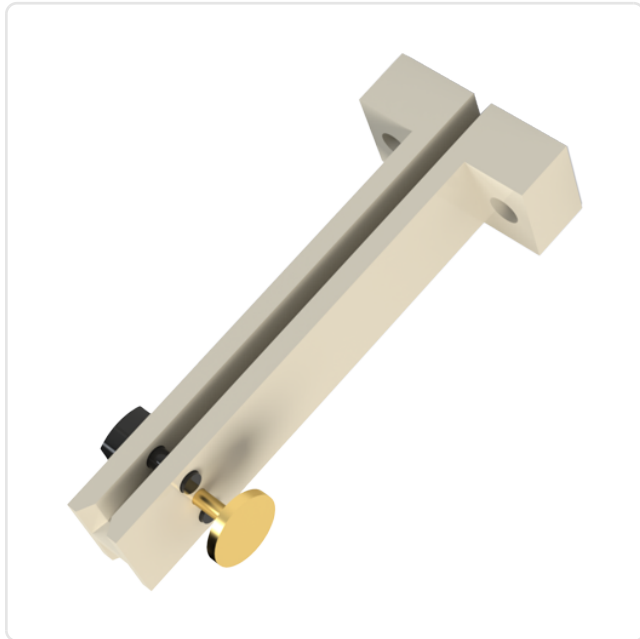
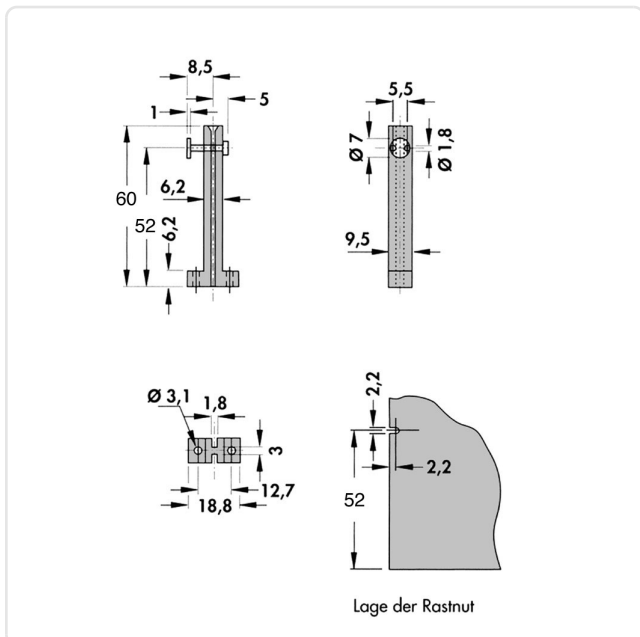


Image may be similar

Color:	Gray
Dist. Mounting Holes [mm]:	12.7
Flammability Class:	UL94-V0
Length [mm]:	60
Material:	PA 6.6
Model:	Screw Fastening
Width [mm]:	6.2
Weight:	5.57g
Conformities:	



You can find all information on the web on our article detail page



Would you like individual advice?

We look forward to your email to [products@ettinger.de](mailto:products@ettinger.de).

Subject to change and errors.