

Article datasheet

IEC Power Inlet 2+E/1x 5x20mm/black 6.3x0.8mm terminals/10A-250V

Article-No.: 039.74.660

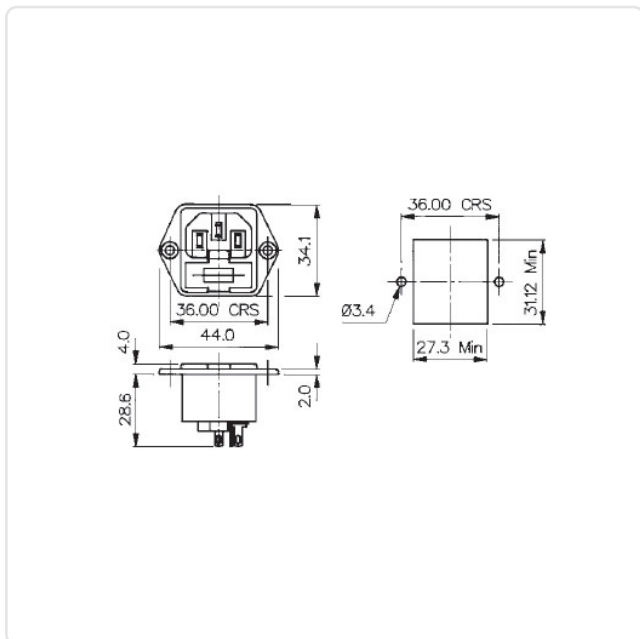


Image may be similar

Amperage [A]: 10
Color: Black
Connections: 6.3x0.8
Fuse Size [mm]: 5.0x20.0
Model: Plug, Screw Mounting
Weight: 15.85g
Conformities:



You can find all
information on the web on
our article detail page



Would you like individual advice?

We look forward to your email to products@ettinger.de.

Subject to change and errors.