

Article datasheet

## Fast On Receptacle 6.3x0.8mm 1.5-2,5mm<sup>2</sup> PVC blue UL listed E329381 AWG16-14

Article-No.: 012.68.216

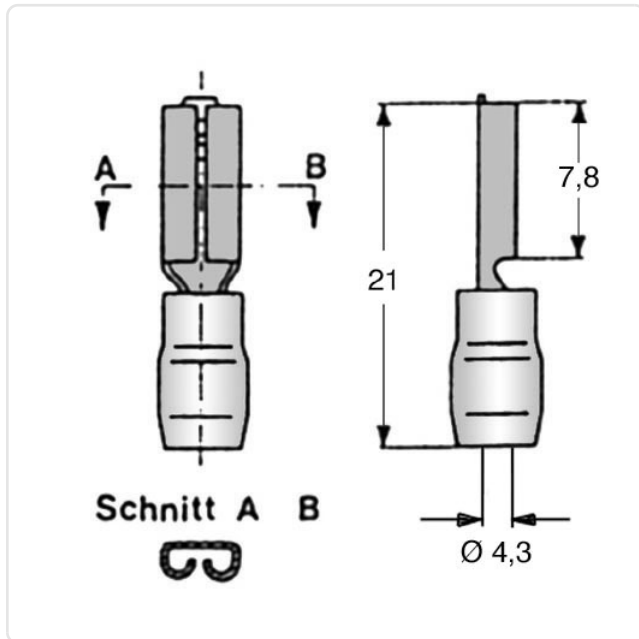


Image may be similar

Color:	Blue
DIN/ISO:	DIN46245
Finish:	Tin-Plated
Insulation:	PVC
Length [mm]:	21
Material:	Brass
Material Group:	Brass
Size [mm]:	6.3x0.8
Wire Cross Section [mm <sup>2</sup> ]:	1.5-2.5
Weight:	1.08g
Conformities:	



You can find all  
information on the web on  
our article detail page

Would you like individual advice?

We look forward to your email to [products@ettinger.de](mailto:products@ettinger.de).

Subject to change and errors.