

Article datasheet

## Conical Spring Washer $\varnothing 3.2/5.7 \times 0.3$ A2 Plain Stainless Steel

Article-No.: 003.24.932

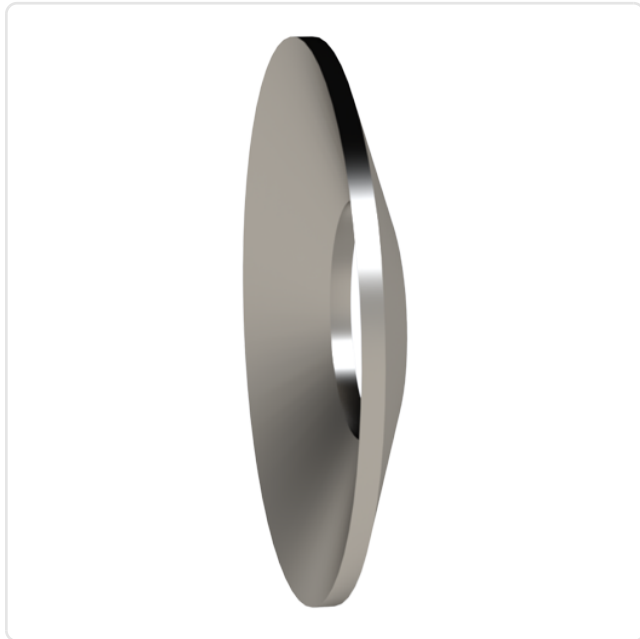
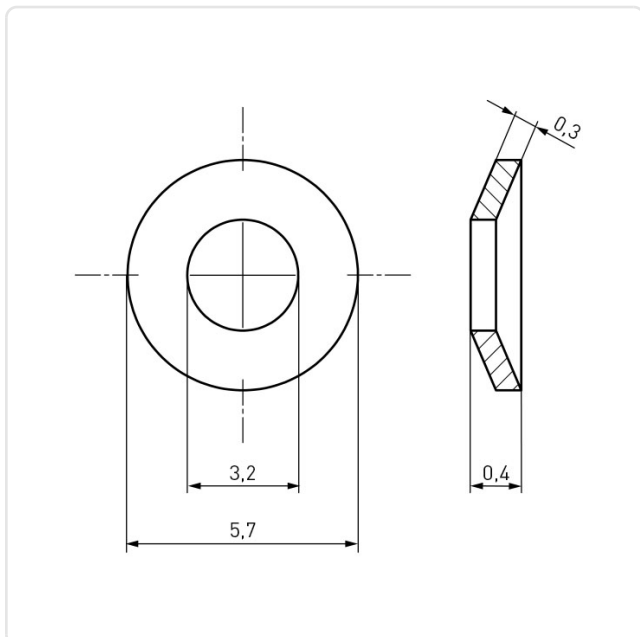


Image may be similar

Finish: Plain  
For Thread Size: M3  
Height [mm]: 0.3  
Inner Diameter [mm]: 3.2  
Material: Stainless Steel A2 / AISI 304  
Material Group: Stainless Steel  
Outer Diameter [mm]: 5.7  
Weight: 0.05g  
Conformities:



You can find all information on the web on our article detail page



Would you like individual advice?

We look forward to your email to [products@ettinger.de](mailto:products@ettinger.de).

Subject to change and errors.