

Article datasheet

## Card Guide for 1/16"PCB/70mm Metal Insert Pushed-In M3

Article-No.: 075.19.470

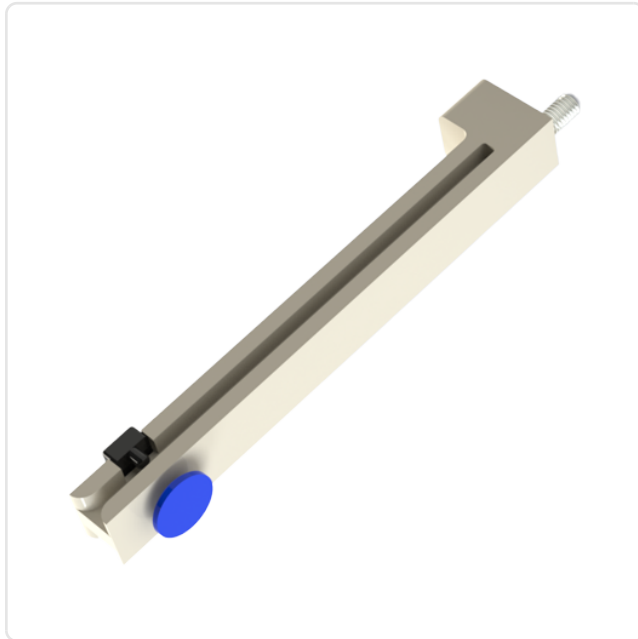
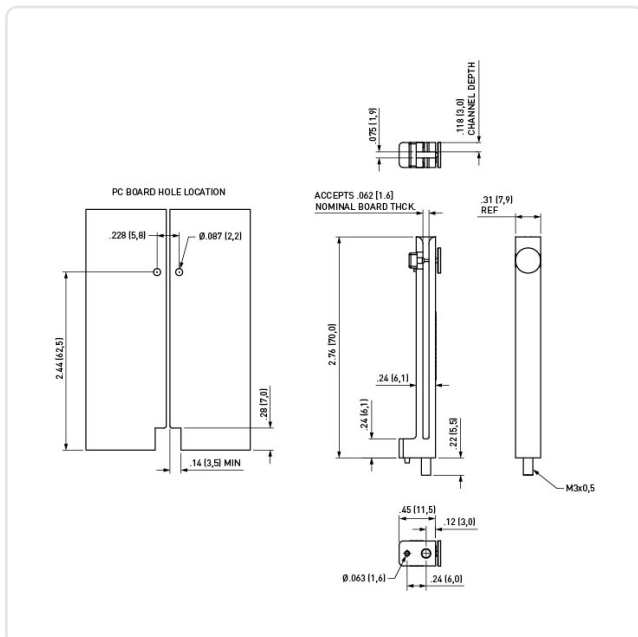


Image may be similar

Color: Gray  
 Dist. Mounting Holes [mm]: 6  
 Flammability Class: UL94-HB  
 Material: PA 6.0 25% GF  
 Material Group: Plastic  
 Model: Screw Fastening  
 Width [mm]: 8  
 Weight: 4.53g  
 Conformities:



You can find all information on the web on our article detail page



Would you like individual advice?

We look forward to your email to [products@ettinger.de](mailto:products@ettinger.de).

Subject to change and errors.