

Article datasheet

## Cable Clamp AKKL $\varnothing$ 14.7-19.1mm Polyamid 6.6 natural UL94-V2 E70062

Article-No.: 072.76.636

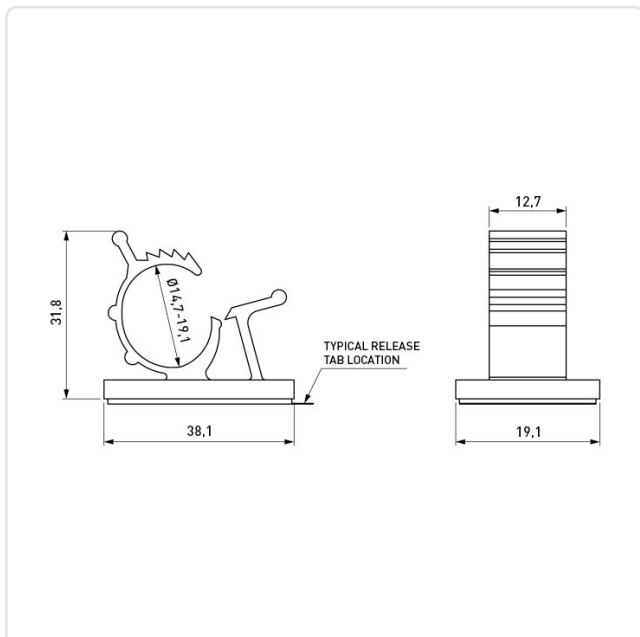


Image may be similar

Color: Natural  
Height [mm]: 31.8  
Material: Polyamide 6.6  
Material Group: Plastic  
Width [mm]: 19.1  
Weight: 5.05g  
Conformities:



You can find all information on the web on our article detail page



Would you like individual advice?

We look forward to your email to [products@ettinger.de](mailto:products@ettinger.de).

Subject to change and errors.