

Article datasheet

## Card Guides for 1/16" PCB 47.5mm Polyamid 6.6 natural UL94-V2 E70032

Article-No.: 075.14.240

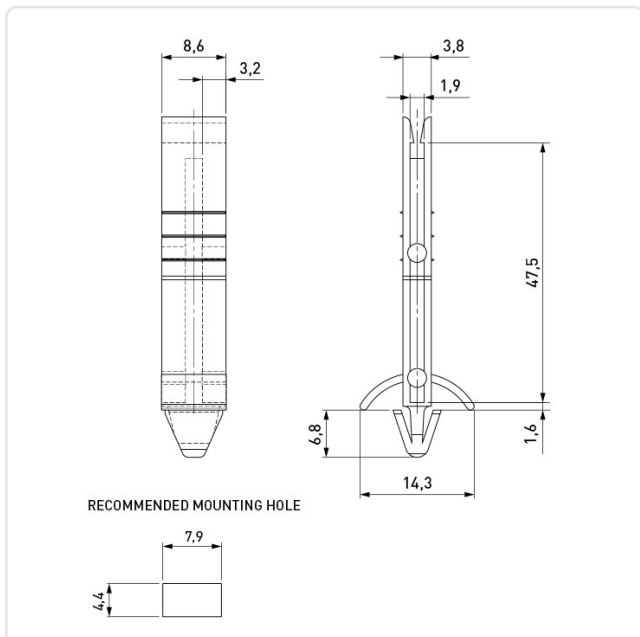


Image may be similar

Color: Natural  
 Flammability Class: UL94-V2  
 Length [mm]: 50.8  
 Material: Polyamide 6.0 25% GF  
 Material Group: Plastic  
 Model: Plug-In Foot  
 Width [mm]: 8.6  
 Weight: 1.58g  
 Conformities:



You can find all information on the web on our article detail page



Would you like individual advice?

We look forward to your email to [products@ettinger.de](mailto:products@ettinger.de).

Subject to change and errors.