

Article datasheet

100 pcs Mounting Sets UNC 4-40/5-5 SW 4,7x4,8/4,8 steel zinc plated

Article-No.: 085.17.864

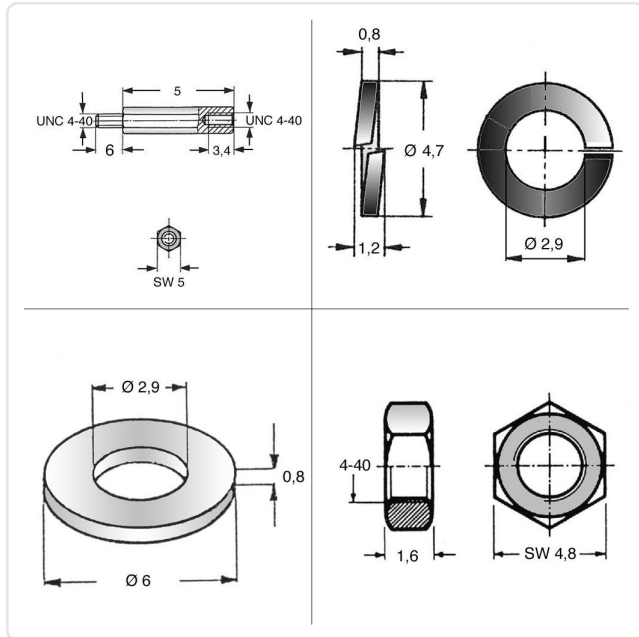


Image may be similar

Length [mm]: 6

Thread Size: UNC4-40

Weight: 265g

Conformities:



You can find all
information on the web on
our article detail page

Would you like individual advice?

We look forward to your email to products@ettinger.de.

Subject to change and errors.