

Article datasheet

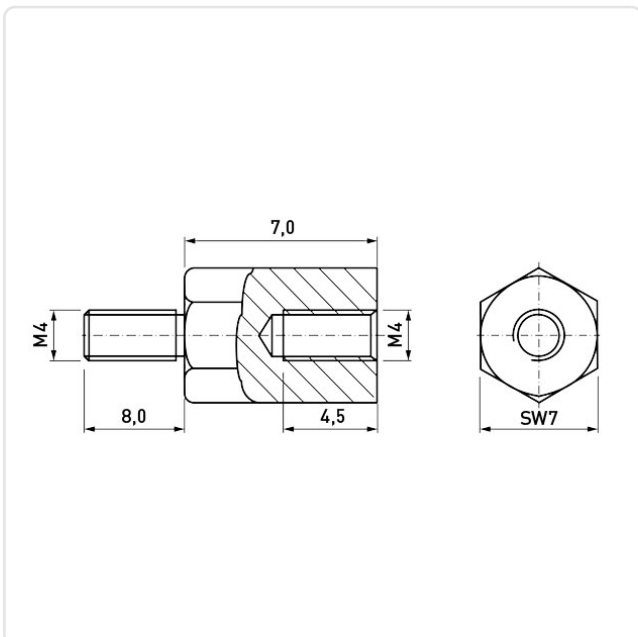
Standoff Nickel-Plated Brass M/F AF7x7 F=M4x4.5 M=M4x8 w/ Undercut

Article-No.: 005.14.073



Image may be similar

AF / OD [mm]:	7
Female Thread Length [mm]:	4.5
Female Thread Size:	M4
Finish:	Nickel-Plated, 3 µm, E1E
Length [mm]:	7
Male Thread Length [mm]:	8
Male Thread Size:	M4
Material:	Brass CW614N / CuZn39Pb3
Material Group:	Messing
Profile:	Hexagonal
Undercut:	Yes
Weight:	2.52g
Conformities:	



You can find all information on the web on our article detail page

Would you like individual advice?

We look forward to your email to products@ettinger.de.

Subject to change and errors.