

Article datasheet

PCB Support 12.7 | \varnothing 4.0 | \varnothing 4.8 Polyamide 6.6 natural

Article-No.: 006.76.612

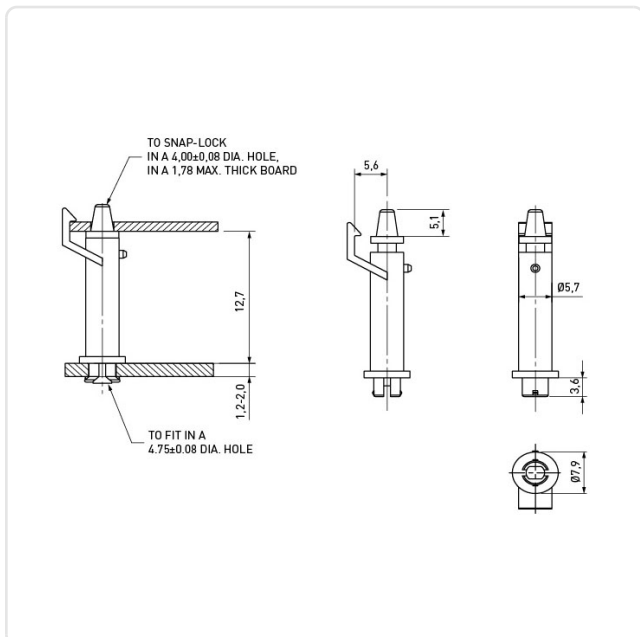


Image may be similar

Color: Natural
 Flammability Class: UL94-V2
 Length [mm]: 12.7
 Material: PA 6.6 UL94 V-2 E 70062 / RMS01
 PCB Hole \varnothing [mm]: 4
 PCB Thickness [mm]: 1,8
 Panel Hole \varnothing [mm]: 4.8
 Panel Thickness [mm]: 1,2-2,0
 Weight: 0.6g
 Conformities:



You can find all information on the web on our article detail page



Would you like individual advice?

We look forward to your email to products@ettinger.de.

Subject to change and errors.