

Article datasheet

Cable Tie 160 x 2,5mm PA natural

Article-No.: 072.92.161

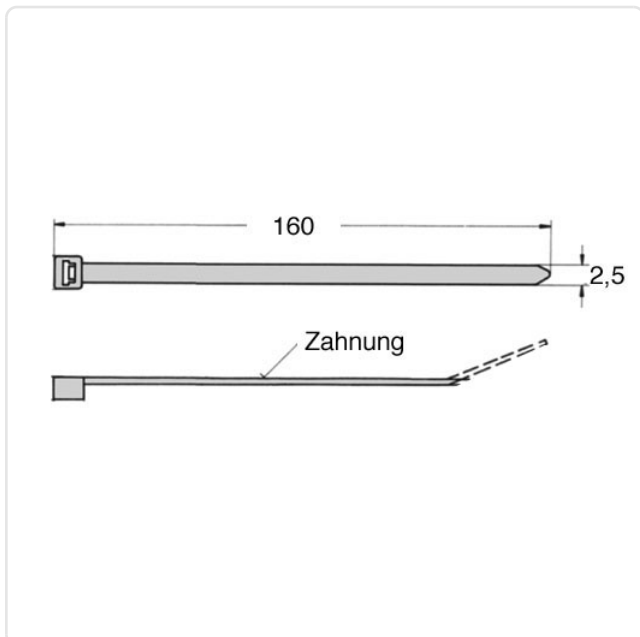


Image may be similar

Bundle Diameter [mm]: 30,0-40,0
Color: Natural
Flammability Class: UL94-V2
Length [mm]: 160
Material: Polyamide 6.0
Width [mm]: 2.5
Weight: 0.54g
Conformities:



You can find all
information on the web on
our article detail page



Would you like individual advice?

We look forward to your email to products@ettinger.de.

Subject to change and errors.