

Article datasheet

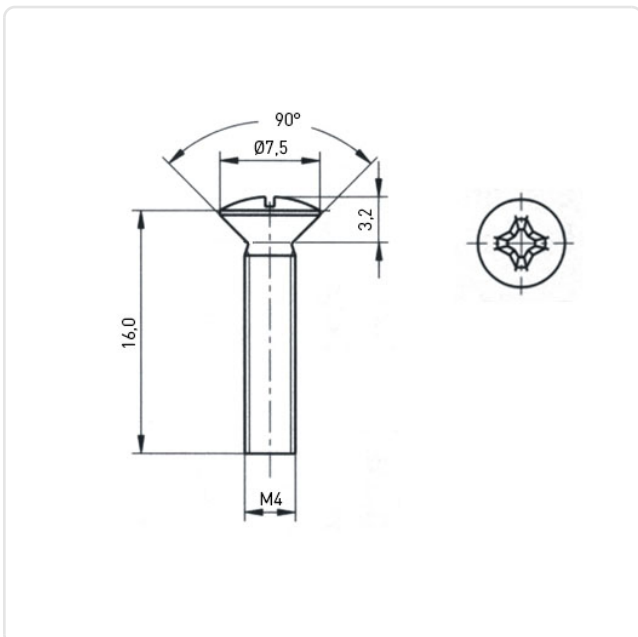
Countersunk Screw ISO7047 M4x16 Galvanized Steel 4.8 Cross Recessed

Article-No.: 001.12.465



Image may be similar

| | |
|---------------------|-----------------------------|
| Actuator Size: | Phillips PH2 |
| DIN/ISO: | DIN966 / ISO7047 |
| Drive Type: | Cross Recess / Phillips-H |
| Finish: | Galvanized, Blue, 5 µm, A2K |
| Head Diameter [mm]: | 7.5 |
| Head Height [mm]: | 2.2 |
| Head Shape: | Countersunk Head |
| Length [mm]: | 16 |
| Material: | Steel 4.8 |
| Material Group: | Steel |
| Thread Size: | M4 |
| Weight: | 1.51g |
| Conformities: | |



You can find all
information on the web on
our article detail page

Would you like individual advice?

We look forward to your email to products@ettinger.de.

Subject to change and errors.