

Article datasheet

Self-Tapping Screw for Plastic 3x10 PT A2 Plain ST STL Torx Countersunk

Article-No.: 001.92.348

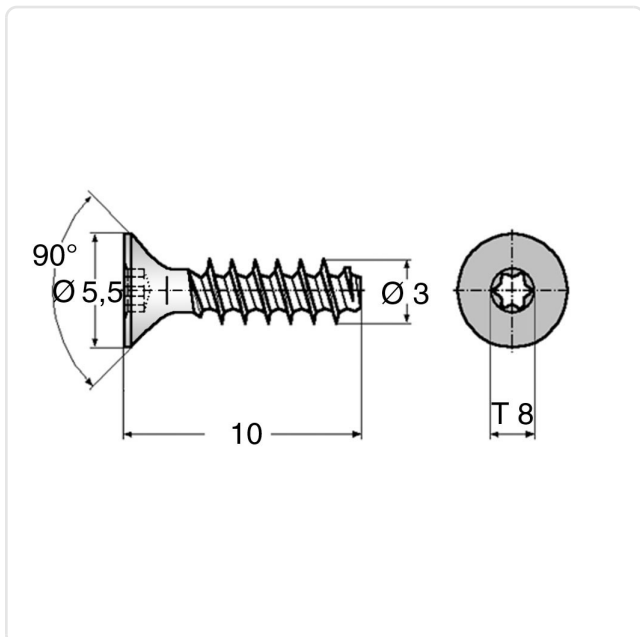


Image may be similar

Actuator Size:	Torx T8
Drive Type:	TORX
Finish:	Plain
Head Diameter [mm]:	5.5
Head Height [mm]:	2.05
Head Shape:	Countersunk Head
Length [mm]:	10
Material:	Stainless Steel AISI 304 / A2
Material Group:	Stahl rostfrei
Thread Diameter [mm]:	Ø 3.0
Thread Type:	PT Thread
Weight:	0.37g
Conformities:	



You can find all
information on the web on
our article detail page



Would you like individual advice?

We look forward to your email to products@ettinger.de.

Subject to change and errors.