

Article datasheet

PCB Support 6.4 | M3.5 | ø4.0 Polyamide 6.6 natural

Article-No.: 006.04.066

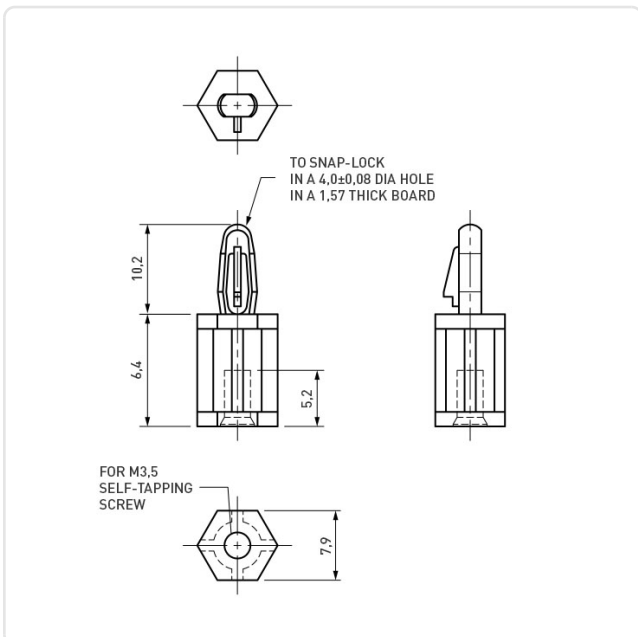


Image may be similar

Color: Natural
Flammability Class: UL94-V2
Length [mm]: 6.4
Material: PA 6.6
PCB Hole Ø [mm]: 4
PCB Thickness [mm]: 1,6
Thread Size: M3.5
Weight: 0.33g
Conformities:



You can find all information on the web on our article detail page



Would you like individual advice?

We look forward to your email to products@ettinger.de.

Subject to change and errors.