

Article datasheet

Fast On DIN 46247 2.8x0.5mm Brass tinned 0.3-0.5mm² AWG26-24

Article-No.: 012.25.055

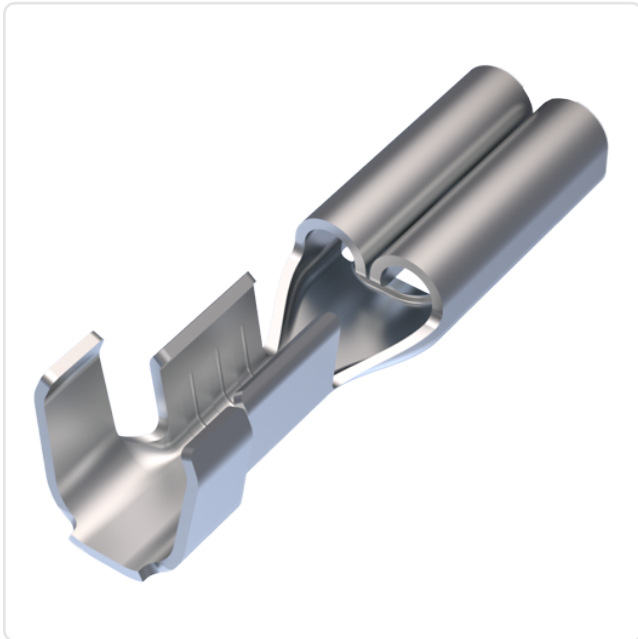


Image may be similar

DIN/ISO:	DIN46247
Finish:	Tin-Plated
Length [mm]:	14
Material:	Brass
Material Group:	Brass
Size [mm]:	2.8x0.5
Wire Cross Section [mm ²]:	0.25-0.5
Weight:	0.23g
Conformities:	



You can find all information on the web on our article detail page

Would you like individual advice?

We look forward to your email to products@ettinger.de.

Subject to change and errors.

