

Article datasheet

Mounting Set UNC 4-40 complete set UNC 5/8 Steel zinc pl.

Article-No.: 085.17.459

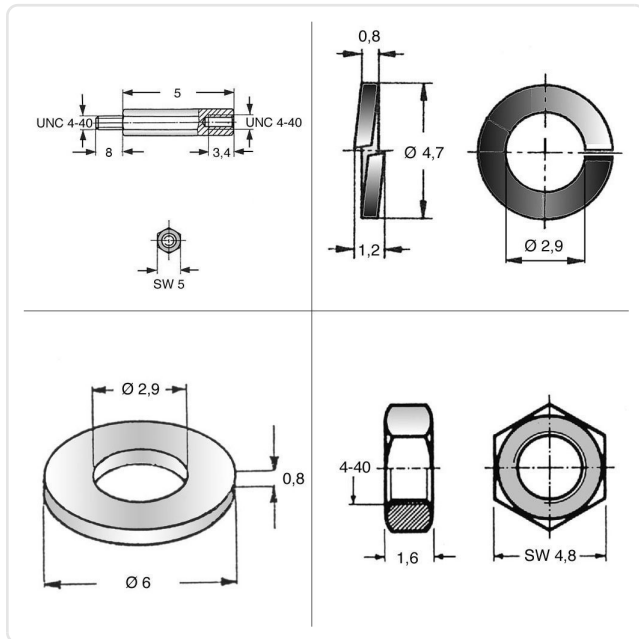


Image may be similar

Length [mm]: 8

Thread Size: UNC4-40

Weight: 3.55g

Conformities:



You can find all
information on the web on
our article detail page

Would you like individual advice?

We look forward to your email to products@ettinger.de.

Subject to change and errors.