

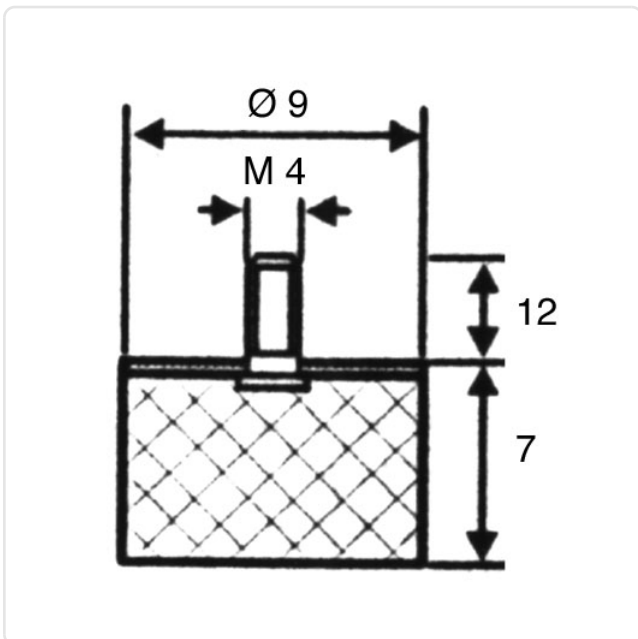
Article datasheet

## Vibration Mount Type D - 55 Shore Cylindric $\varnothing D = 9.0$ mm

Article-No.: 071.31.435



Image may be similar



Diameter [mm]:	9
Finish:	Galvanized, Blue, 5 $\mu$ m, A2K
Height [mm]:	7
Male Thread Length [mm]:	12
Material:	Natural Rubber
Material Group:	Kunststoff
Shore-Hardness:	Grade of Hardness 55-57°
Thread Size:	M4
Weight:	1.59g
Conformities:	



You can find all  
information on the web on  
our article detail page

Would you like individual advice?

We look forward to your email to [products@ettinger.de](mailto:products@ettinger.de).

Subject to change and errors.