

Article datasheet

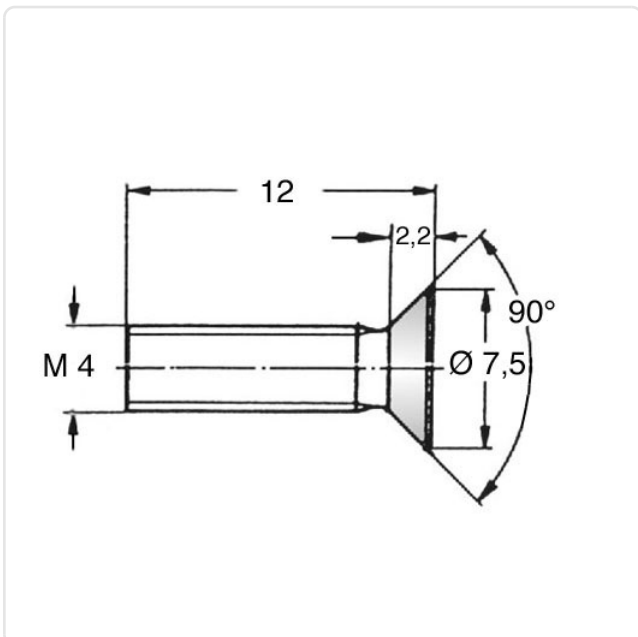
## Countersunk Screw ISO7046 M4x12 Black Galvanized Steel 8.8 Torx

Article-No.: 001.55.450



Image may be similar

Actuator Size:	Torx T20
DIN/ISO:	DIN965 / ISO7046
Drive Type:	TORX
Finish:	Galvanized, Black, 5 µm, A2R
Head Diameter [mm]:	7.5
Head Height [mm]:	2.2
Head Shape:	Countersunk Head
Length [mm]:	12
Material:	Steel 8.8
Material Group:	Steel
Thread Size:	M4
Weight:	1.12g
Conformities:	



You can find all  
information on the web on  
our article detail page

Would you like individual advice?

We look forward to your email to [products@ettinger.de](mailto:products@ettinger.de).

Subject to change and errors.