

Article datasheet

PCB Support 5.0 | $\varnothing 4.0$ | $\varnothing 4.0$ Polyamide 6.6 natural

Article-No.: 006.27.056

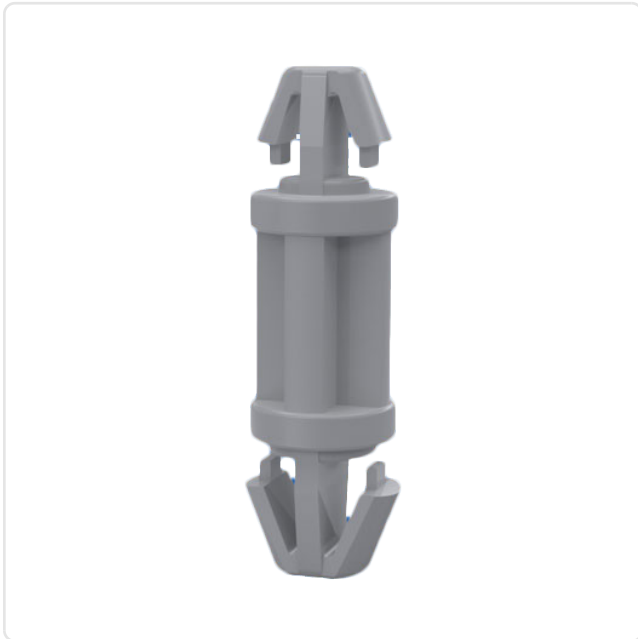


Image may be similar

| | |
|--------------------------------|---------|
| Color: | Natural |
| Flammability Class: | UL94-V2 |
| Length [mm]: | 5 |
| Material: | PA 6.6 |
| PCB Hole \varnothing [mm]: | 4 |
| PCB Thickness [mm]: | 1,6 |
| Panel Hole \varnothing [mm]: | 4 |
| Panel Thickness [mm]: | 1,6 |
| Weight: | 0.19g |
| Conformities: | |



You can find all
information on the web on
our article detail page

Would you like individual advice?

We look forward to your email to products@ettinger.de.

Subject to change and errors.