

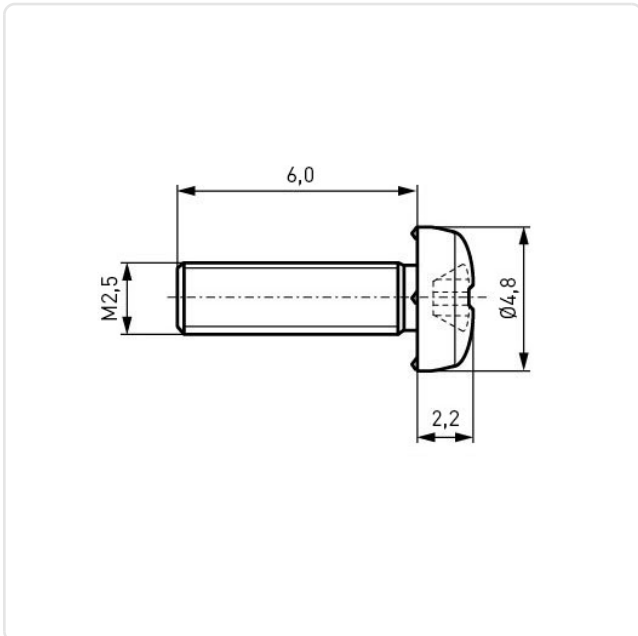
Article datasheet

Flat Head Screw M2.5x6 with Whiz-Lock Galvanized Steel 4.8 C/R Pozidriv

Article-No.: 001.78.221



Image may be similar



Actuator Size:	Pozidriv PZ1
Drive Type:	Cross Recess / Pozidriv-Z
Finish:	Galvanized, Blue, 5 µm, A2K
Head Diameter [mm]:	5
Head Height [mm]:	2
Head Shape:	Pan Head
Length [mm]:	6
Material:	Steel 4.8
Material Group:	Steel
Thread Size:	M2.5
Weight:	0.38g
Conformities:	



You can find all information on the web on our article detail page

Would you like individual advice?

We look forward to your email to products@ettinger.de.

Subject to change and errors.