

Article datasheet

## Cable Lug Pin Type DIN 46231 A Polyamid,yellow/0.1-0.5mm<sup>2</sup>/AWG22-18

Article-No.: 018.50.004

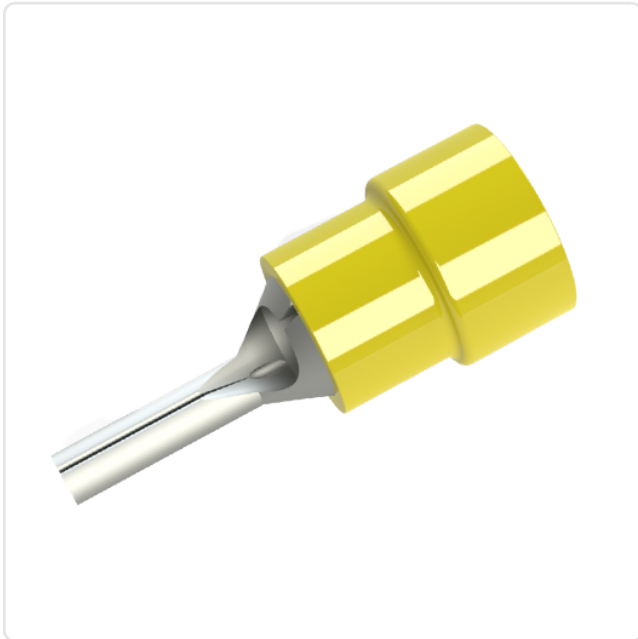
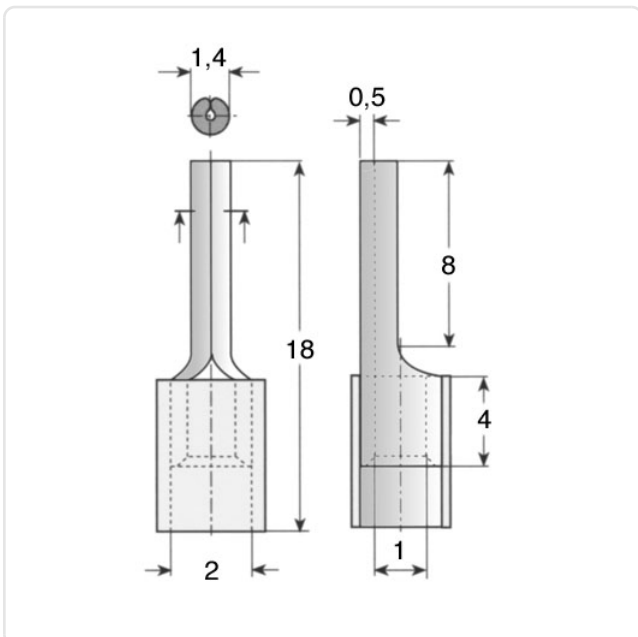


Image may be similar

Color:	Yellow
DIN/ISO:	DIN46231-A
Finish:	Tin-Plated
Insulation:	Polyamide
Material:	Electrolytic Copper
Outer Diameter [mm]:	1.4
Wire Cross Section [mm <sup>2</sup> ]:	0.5
Weight:	0.27g
Conformities:	



You can find all information on the web on our article detail page



Would you like individual advice?

We look forward to your email to [products@ettinger.de](mailto:products@ettinger.de).

Subject to change and errors.