

Article datasheet

## Mounting Bracket 90°/2x UNC6-32 Steel,nickel-plated

Article-No.: 014.84.633

Manufacturer: Keystone Electronics

Manufacturer article-no.: 4334

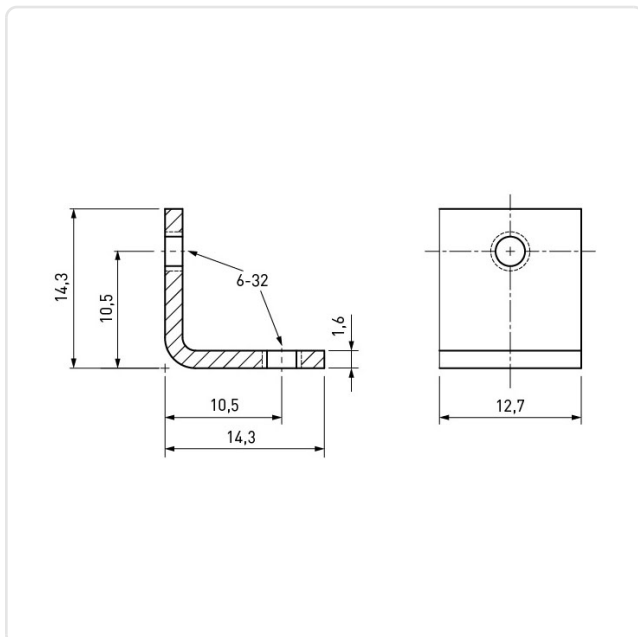


Image may be similar

Finish: Nickel-Plated, 3 µm, E1E  
Material: Steel  
Material Group: Steel  
Model: Right-Angled with Thread  
Thread 2 / Hole 2: UNC6-32  
Width [mm]: 12.7  
Weight: 3.75g  
Conformities:



You can find all  
information on the web on  
our article detail page



Would you like individual advice?

We look forward to your email to [products@ettinger.de](mailto:products@ettinger.de).

Subject to change and errors.