

Article datasheet

Captive Screw M2.5x11.8 Pan Head Passivated A2 Stainless Steel C/R

Article-No.: 001.87.252

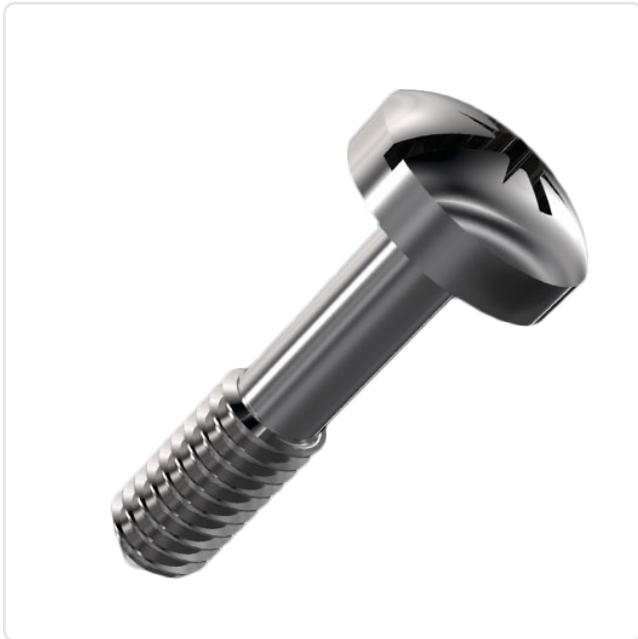
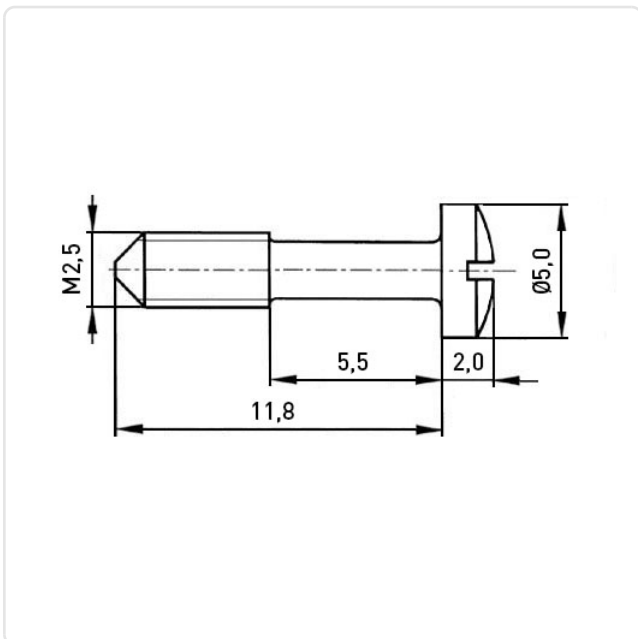


Image may be similar

Actuator Size:	Pozidriv PZ1
Drive Type:	Cross Recess / Slotted
Finish:	Passivated, Clear
Head Diameter [mm]:	5
Head Height [mm]:	2
Head Shape:	Pan Head
Length [mm]:	11.8
Material:	Stainless Steel A2 / AISI 304
Material Group:	Stainless Steel
Reduced Shank Length [mm]:	5.5
Thread Size:	M2.5
Weight:	1.44g
Conformities:	



You can find all information on the web on our article detail page

Would you like individual advice?

We look forward to your email to products@ettinger.de.

Subject to change and errors.