

Article datasheet

## PCB Support 7.9 | $\varnothing 3.1$ Polyamide 6.6 natural

Article-No.: 006.07.516

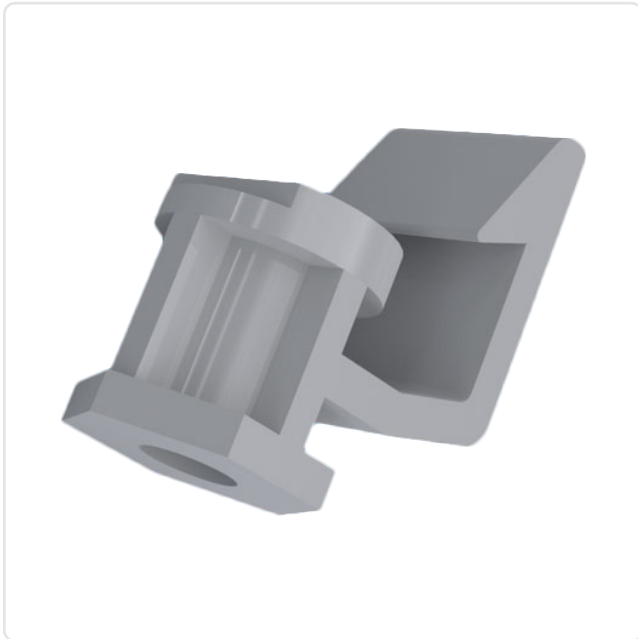
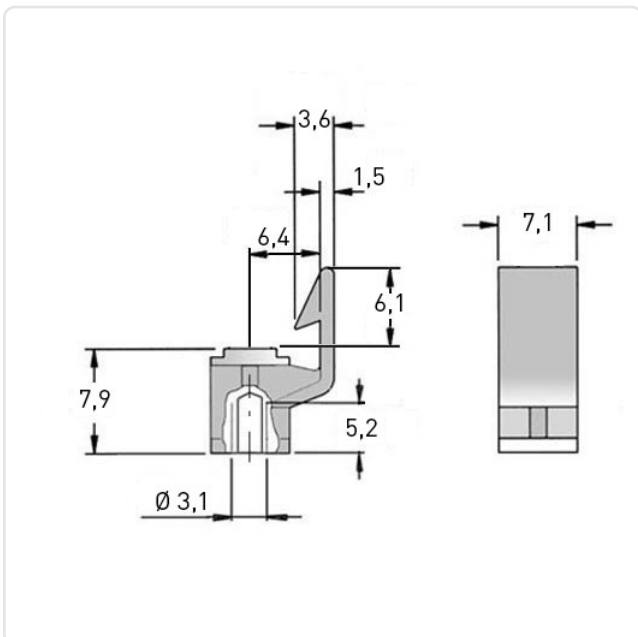


Image may be similar

Color: Natural  
Flammability Class: UL94-V2  
Length [mm]: 7.9  
Material: PA 6.6 UL94 V-2 E 70062 / RMS01  
PCB Thickness [mm]: 1,6  
Panel Hole  $\varnothing$  [mm]: 3.1  
Weight: 0.41g  
Conformities:



You can find all  
information on the web on  
our article detail page



Would you like individual advice?

We look forward to your email to [products@ettinger.de](mailto:products@ettinger.de).

Subject to change and errors.