

Article datasheet

PCB Support 12.2 | \varnothing 4.8 Polyamide 6.6 natural

Article-No.: 006.17.612

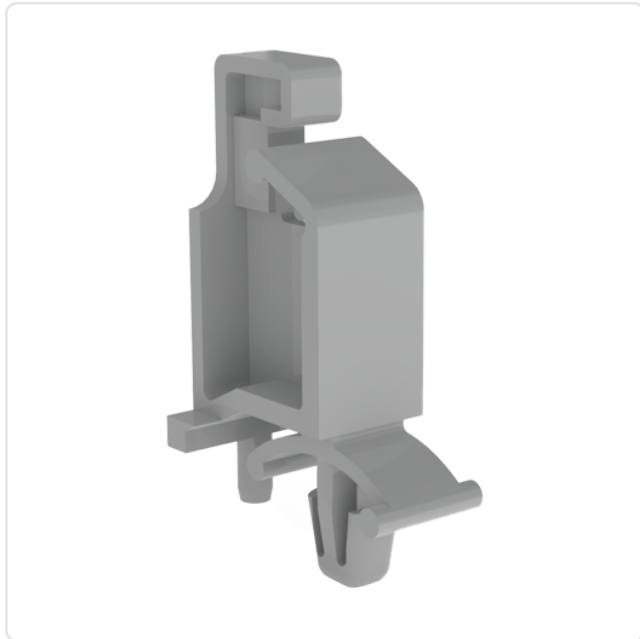


Image may be similar

Color:	Natural
Flammability Class:	UL94-V2
Length [mm]:	12.2
Material:	PA 6.6 UL94 V-2 E 70062 / RMS01
PCB Thickness [mm]:	1,6-2,3
Panel Hole \varnothing [mm]:	4.8
Panel Thickness [mm]:	1,0-2,3
Weight:	0.82g
Conformities:	



You can find all information on the web on our article detail page

Would you like individual advice?

We look forward to your email to products@ettinger.de.

Subject to change and errors.

