

Article datasheet

Mounting Bracket UNC6-32 + \varnothing 3.3mm Brass tinned

Article-No.: 014.84.675

Manufacturer: Keystone Electronics

Manufacturer article-no.: 630

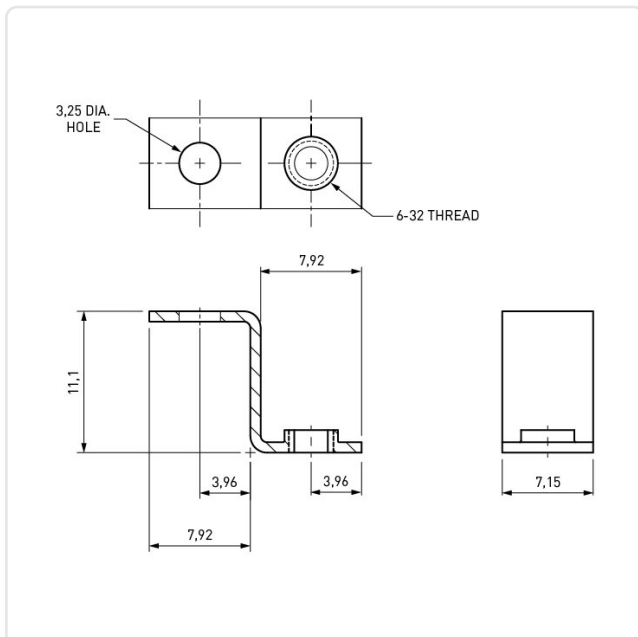


Image may be similar

Finish: Tin-Plated
Material: Brass
Material Group: Brass
Model: Z Shape with Thread
Thread 1 / Hole 1: \varnothing 3,2
Thread 2 / Hole 2: UNC6-32
Width [mm]: 7.2
Weight: 1.21g
Conformities:



You can find all information on the web on our article detail page



Would you like individual advice?

We look forward to your email to products@ettinger.de.

Subject to change and errors.