

Article datasheet

Solderless Pin Terminal 1.5-2.5mm² Polyamid,blue/easy entry AWG16-14

Article-No.: 018.54.736

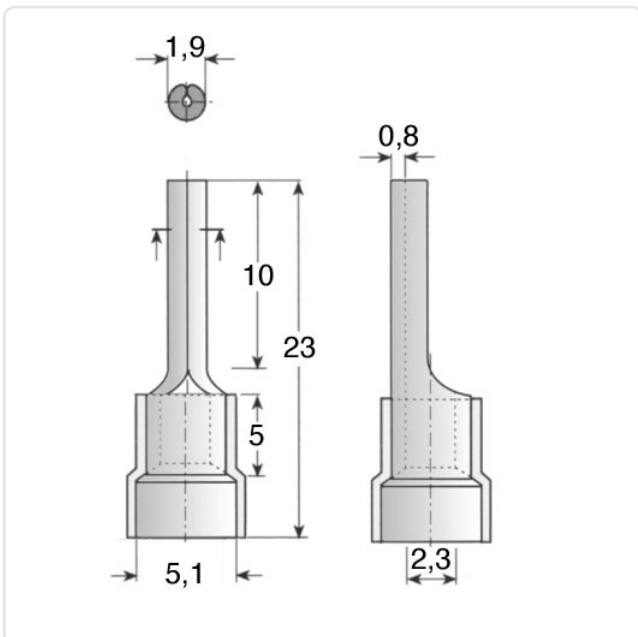


Image may be similar

Color:	Blue
DIN/ISO:	DIN46231-A
Insulation:	Polyamide
Material:	Copper
Outer Diameter [mm]:	1.9
Wire Cross Section [mm ²]:	1.5-2.5
Weight:	0.84g
Conformities:	



You can find all information on the web on our article detail page



Would you like individual advice?

We look forward to your email to products@ettinger.de.

Subject to change and errors.