

Article datasheet

## Lock Washer $\varnothing 4.3/7.0 \times 0.5$ Nickel-Plated Spring Steel

Article-No.: 003.04.043

Manufacturer: SCHNORR

Manufacturer article-no.: 413300 vern.

**SCHNORR**  
DISC SPRING ENGINEERING

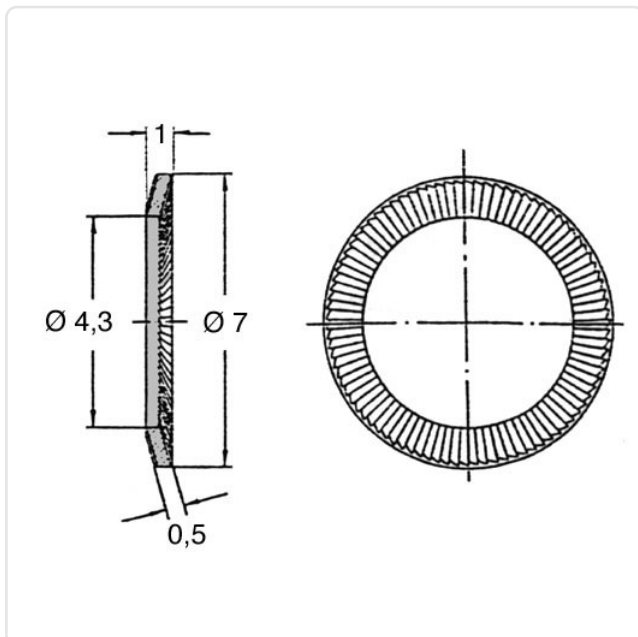


Image may be similar

Finish: Nickel-Plated, 3  $\mu\text{m}$ , E1E  
For Thread Size: M4  
Height [mm]: 0.5  
Inner Diameter [mm]: 4.3  
Material: Spring Steel  
Material Group: Steel  
Outer Diameter [mm]: 7  
Weight: 0.08g  
Conformities:



You can find all information on the web on our article detail page



Would you like individual advice?

We look forward to your email to [products@ettinger.de](mailto:products@ettinger.de).

Subject to change and errors.