

Article datasheet

Push On Feet / Mounting Range 0.8 mm

Article-No.: 017.53.050

Manufacturer: SES-Sterling

Manufacturer article-no.: 0254 0032 010

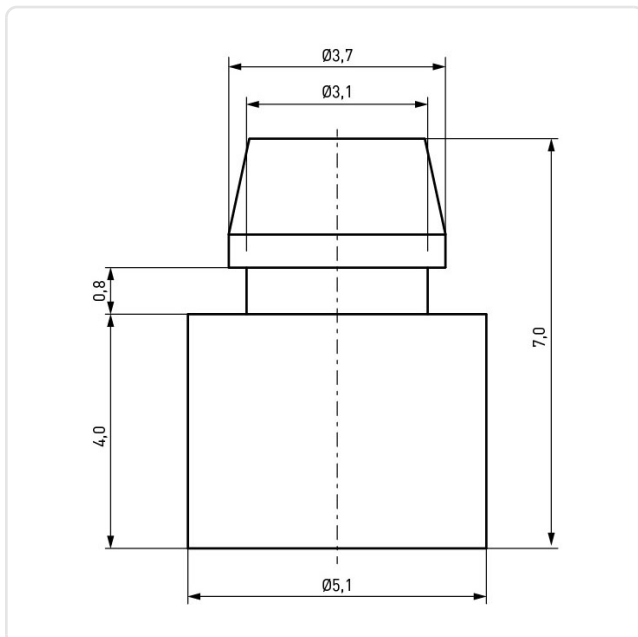


Image may be similar

Color: Black
Diameter [mm]: 5.1
Height [mm]: 4
Material: NBR - Nitrile Butadiene Rubber
Panel Hole \varnothing [mm]: 3.1
Panel Thickness [mm]: 0,8
Weight: 0.14g
Conformities:



You can find all
information on the web on
our article detail page



Would you like individual advice?

We look forward to your email to products@ettinger.de.

Subject to change and errors.