

Article datasheet

Flat Tie Holder 5.0mm PA6.6 natural ø5mm hole for countersunk-screw

Article-No.: 072.79.551

Manufacturer: Hellermann

Manufacturer article-no.: 151-28219

HellermannTyton

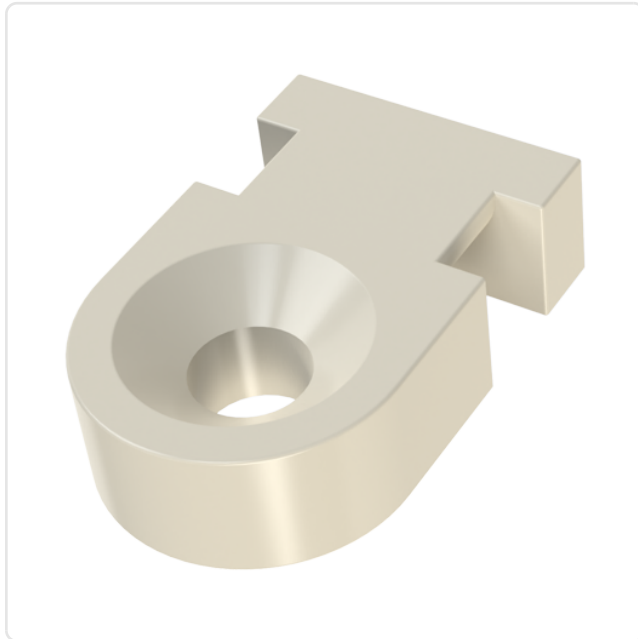


Image may be similar

Color: Natural
Flammability Class: UL94-V2
Height [mm]: 3.3
Length [mm]: 20.5
Material: PA 6.6
Material Group: Kunststoff
Model: Screw Mounting
Width [mm]: 12.5
Weight: 0.66g
Conformities:



You can find all information on the web on our article detail page

Would you like individual advice?

We look forward to your email to products@ettinger.de.

Subject to change and errors.

