

Article datasheet

Insulation sleeve $\varnothing 2.6/3.9/10 \times 3$ mm Polyamid 6 natural

Article-No.: 003.18.026

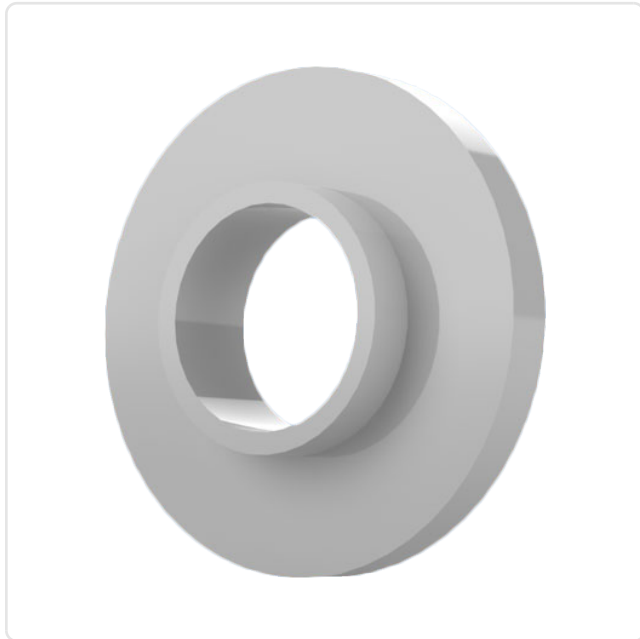
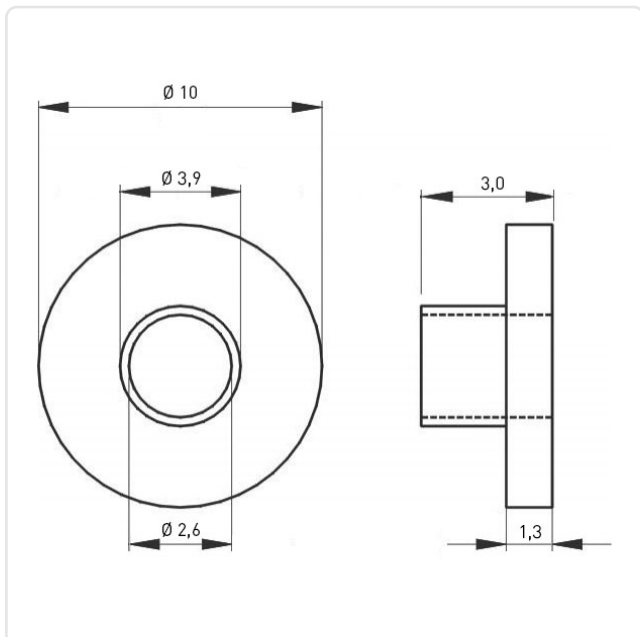


Image may be similar

Color:	Natural
Flammability Class:	UL94-V2
Height [mm]:	3
Inner Diameter [mm]:	2.6
Lug Diameter [mm]:	3.9
Material:	PA 6
Material Group:	Plastic
Model:	With Low Lug
Outer Diameter [mm]:	10
Weight:	0.11g
Conformities:	



You can find all
information on the web on
our article detail page



Would you like individual advice?

We look forward to your email to products@ettinger.de.

Subject to change and errors.