

Article datasheet

## PCB Support 6.4 Self-Adhesive Polyamide 6.6 natural

Article-No.: 006.21.806

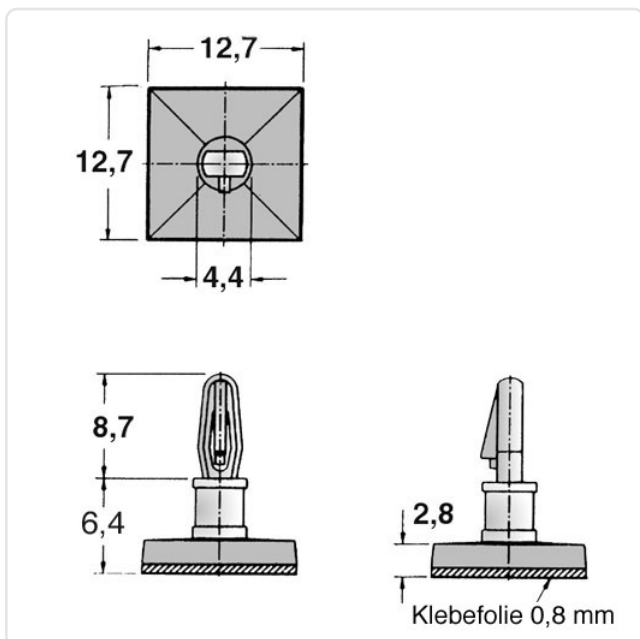


Image may be similar

Color: Natural  
Flammability Class: UL94-V2  
Length [mm]: 6.4  
Material: Polyamide 6.0 25% GF  
PCB Hole Ø [mm]: 3.2  
PCB Thickness [mm]: 1,6  
Weight: 0.55g  
Conformities:



You can find all information on the web on our article detail page



Would you like individual advice?

We look forward to your email to [products@ettinger.de](mailto:products@ettinger.de).

Subject to change and errors.