

Article datasheet

Fast Feet with Push Rivet

Article-No.: 017.76.624

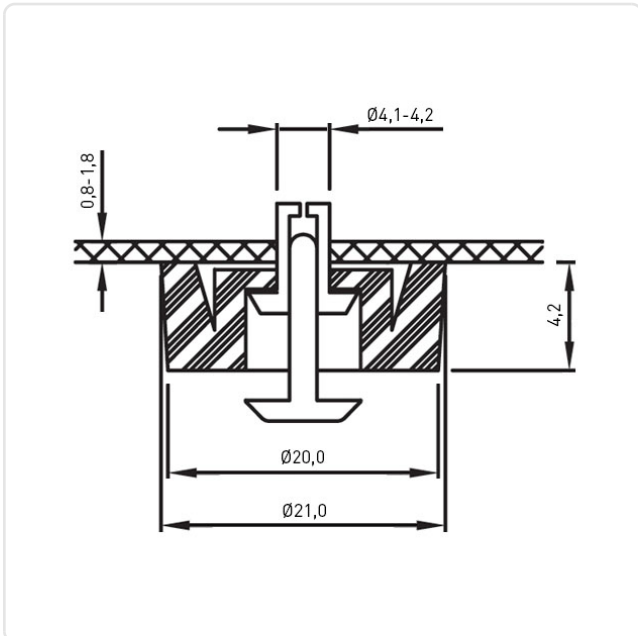


Image may be similar

Color:	Black
Diameter [mm]:	21
Flammability Class:	UL94-HB
Height [mm]:	4.2
Material:	TPR - Thermoplastic elastomer
Panel Hole Ø [mm]:	4.2
Panel Thickness [mm]:	0,8-1,8
Weight:	1.06g
Conformities:	



You can find all information on the web on our article detail page



Would you like individual advice?

We look forward to your email to products@ettinger.de.

Subject to change and errors.