

Article datasheet

Cage Nut M3 Panel Thk. Range 1.7-2.3mm A2 Plain Stainless Steel / Galv. Steel

Article-No.: 002.53.129

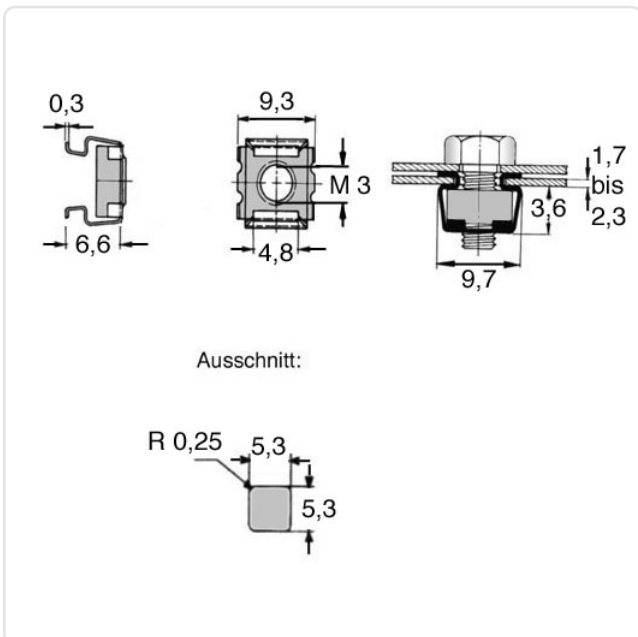


Image may be similar

Finish:	Plain Cage / Galvanized Nut
Height [mm]:	6.6
Material:	Käfig, rostfrei A2 / Mutter vzk
Material Group:	Stahl
Panel Cutout [mm]:	5.3x5.3
Panel Thickness Range [mm]:	1,7-2,3
Thread Size:	M3
Weight:	1.36g
Conformities:	



You can find all information on the web on our article detail page



Would you like individual advice?

We look forward to your email to products@ettinger.de.

Subject to change and errors.