

Article datasheet

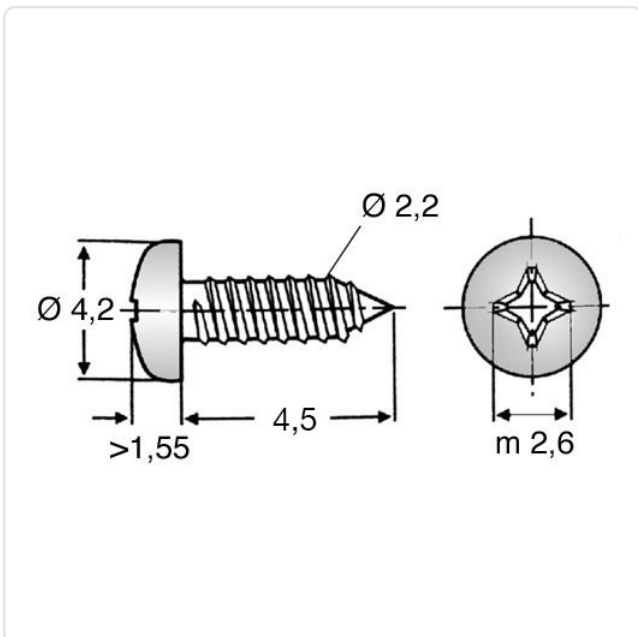
Tapping Screw DIN7981C Ø2.2x4.5 Nickel-Plated ST Cross Recess Pan Head

Article-No.: 001.27.013



Image may be similar

Actuator Size:	Pozidriv PZ1
DIN/ISO:	DIN7981 / ISO7049
Drive Type:	Cross Recess / Pozidriv-Z
Finish:	Nickel-Plated, 3 µm, E1E
Head Diameter [mm]:	4.2
Head Height [mm]:	1.8
Head Shape:	Pan Head
Length [mm]:	4.5
Material:	Steel
Material Group:	Stahl
Thread Diameter [mm]:	Ø 2.2
Weight:	0.19g
Conformities:	



You can find all
information on the web on
our article detail page

Would you like individual advice?

We look forward to your email to products@ettinger.de.

Subject to change and errors.