

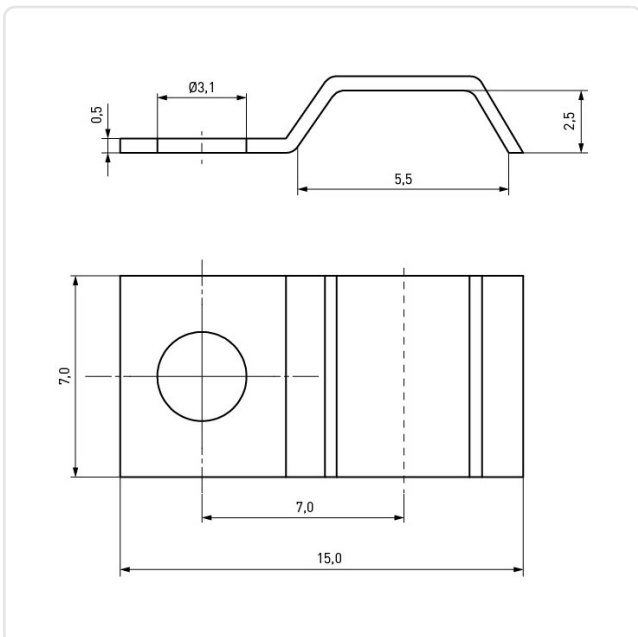
Article datasheet

## Cable Clamp One-Sided Fastening $\varnothing$ 2.5 | Hole $\varnothing$ 3.1 | Nickel-Plated Steel

Article-No.: 014.42.413



Image may be similar



Bundle Diameter [mm]:	2,5
Distance Middle/Middle [mm]:	7
Finish:	Nickel-Plated, 3 $\mu$ m, E1E
Length [mm]:	15
Material:	Steel
Mounting Hole [mm]:	3.1
Thickness [mm]:	0.5
Width [mm]:	7
Weight:	0.47g
Conformities:	



You can find all information on the web on our article detail page

Would you like individual advice?

We look forward to your email to [products@ettinger.de](mailto:products@ettinger.de).

Subject to change and errors.