

Article datasheet

TOP-Marker for TOP-Knob Type PIN

Article-No.: 053.01.006

Manufacturer: OKW Gehäusesysteme

Manufacturer article-no.: A1101006

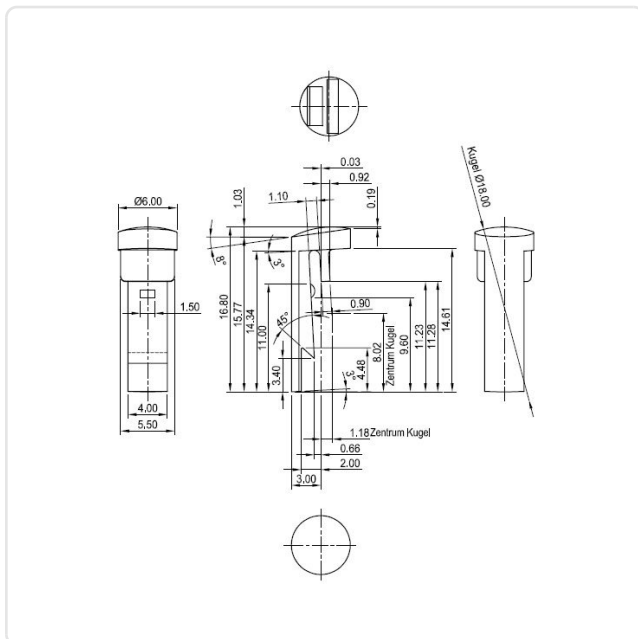


Image may be similar

Color: Blue
Material: Polyamide UL94-HB
Material Group: Kunststoff
Model: Marker for TOP Knob
Weight: 0.2g
Conformities:



You can find all
information on the web on
our article detail page



Would you like individual advice?

We look forward to your email to products@ettinger.de.

Subject to change and errors.