

Article datasheet

Mounting Button for Sheet Mat. / Panel Thickness: 0,8 to 2.4 mm

Article-No.: 072.88.016

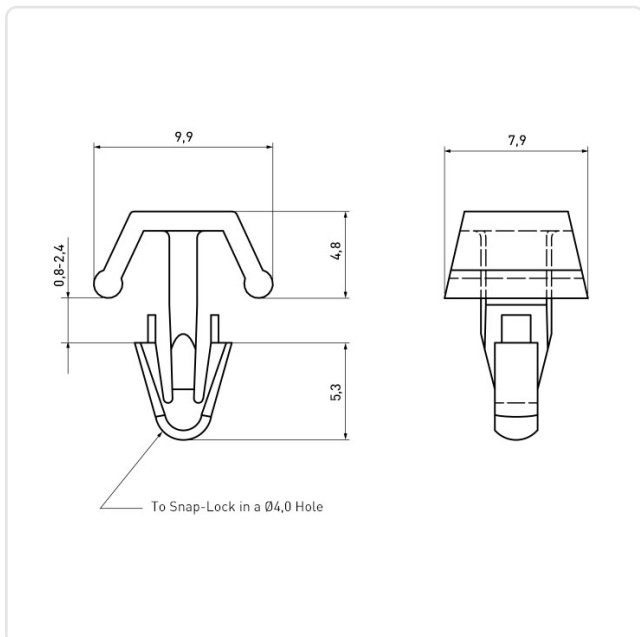


Image may be similar

Color: Natural
Flammability Class: UL94-V2
Head Diameter [mm]: 9.9
Material: PA 6.6
Mounting Hole [mm]: 4
Panel Thickness Range [mm]: 0.8 - 2.4 mm
Weight: 0.21g
Conformities:



You can find all information on the web on our article detail page



Would you like individual advice?

We look forward to your email to products@ettinger.de.

Subject to change and errors.