

Article datasheet

## Bushing 16.0/19.0mm PA black for Limited Internal Clearance

Article-No.: 014.07.161

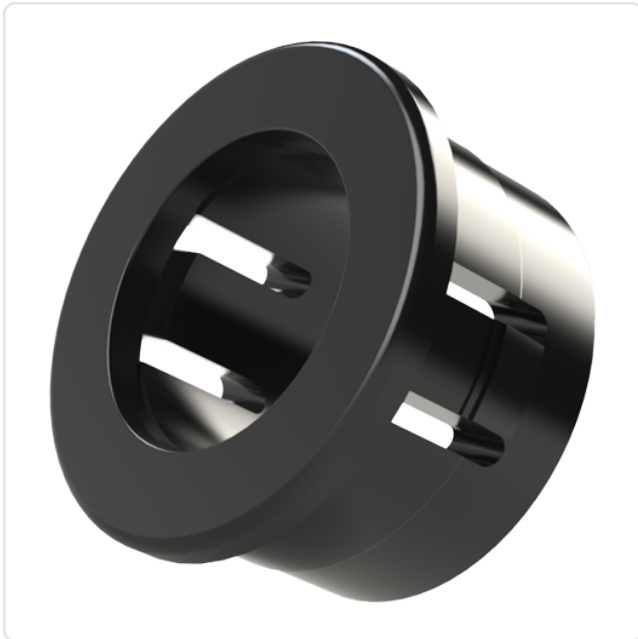
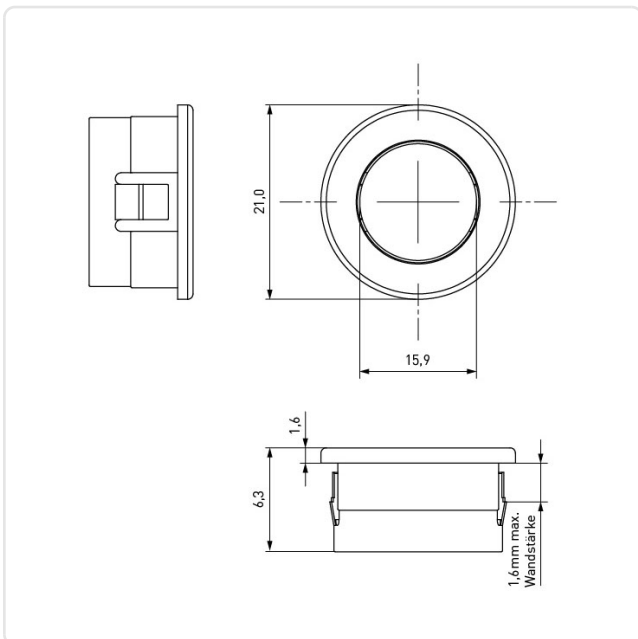


Image may be similar

Color:	Black
Inner Diameter [mm]:	16
Material:	PA 6.6
Material Group:	Kunststoff
Max. Panel Thickness [mm]:	1.6
Mounting Hole [mm]:	19
Outer Diameter [mm]:	21
Weight:	0.57g
Conformities:	



You can find all information on the web on our article detail page



Would you like individual advice?

We look forward to your email to [products@ettinger.de](mailto:products@ettinger.de).

Subject to change and errors.