

Article datasheet

## Flat Head Screw ISO7380-1 M2.5x6 Galvanized Steel 8.8 Torx Button Head

Article-No.: 001.53.221

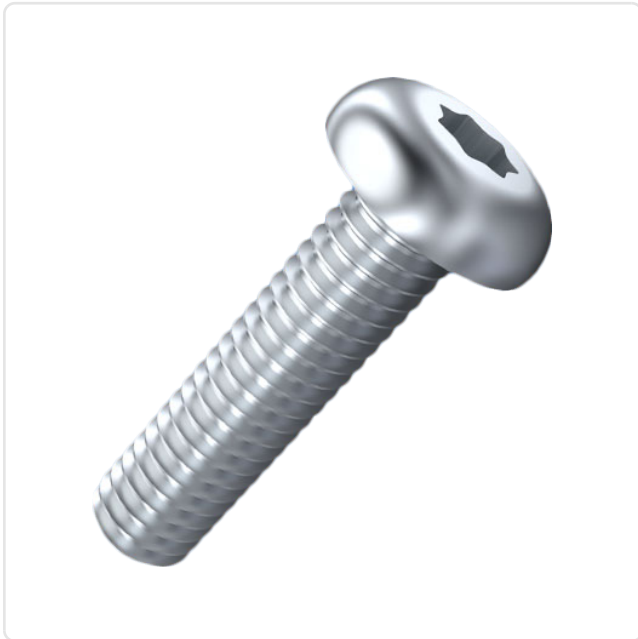
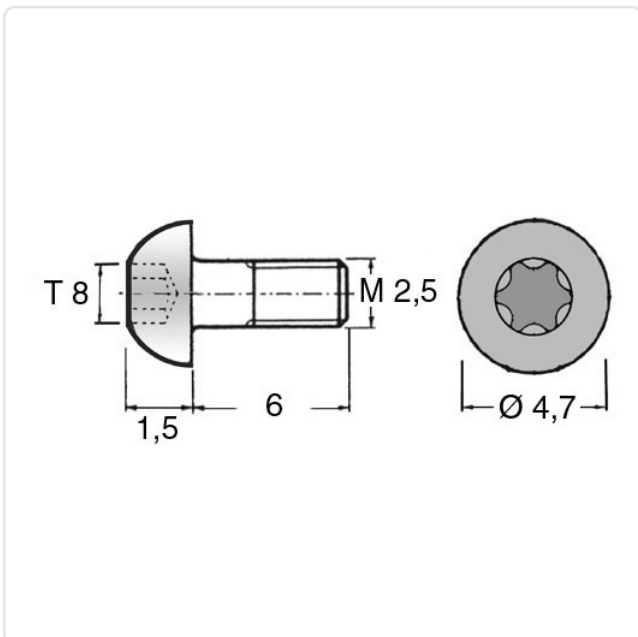


Image may be similar

Actuator Size:	Torx T8
DIN/ISO:	ISO7380-1
Drive Type:	TORX
Finish:	Galvanized, Blue, 5 µm, A2K
Head Diameter [mm]:	4.7
Head Height [mm]:	1.5
Head Shape:	Button Head
Length [mm]:	6
Material:	Steel 8.8
Material Group:	Steel
Thread Size:	M2.5
Weight:	0.31g
Conformities:	



You can find all  
information on the web on  
our article detail page

Would you like individual advice?

We look forward to your email to [products@ettinger.de](mailto:products@ettinger.de).

Subject to change and errors.