

Article datasheet

## Dowel Pin ISO2338 Ø3x8 A4 Plain Stainless Steel

Article-No.: 080.30.0308

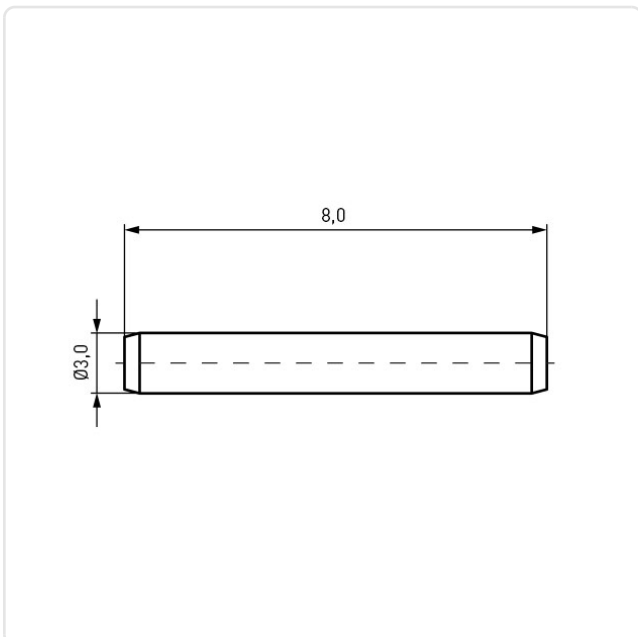


Image may be similar

DIN/ISO: DIN7 / ISO2338  
Diameter [mm]: 3  
Finish: Plain  
Length [mm]: 8  
Material: Stainless Steel A4 / AISI 316  
Material Group: Stainless Steel  
Weight: 0.48g  
Conformities:



You can find all  
information on the web on  
our article detail page



Would you like individual advice?

We look forward to your email to [products@ettinger.de](mailto:products@ettinger.de).

Subject to change and errors.